

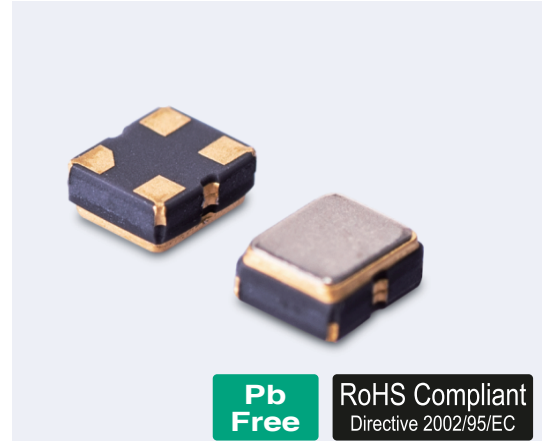
# 2C Series 2.5x2.0 SMD Crystal Oscillator

## FEATURE

- Tight frequency tolerance.
- CMOS compatible logic levels.
- Pin-compatible with standard 2.5x2.0mm packages.
- Designed for standard reflow and washing techniques.
- Low power standby mode.
- Pb-free and RoHS/Green compliant.

## APPLICATIONS

- Ideally suited designed for use in Ethernet, network adapter cards, hard disk devices, blue tooth, PCMCIA Cards, Palmtop Computer, Portable Applications.

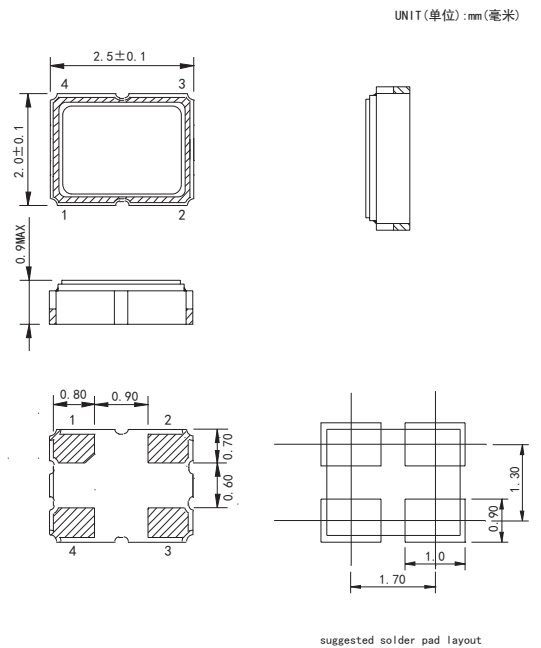


## Electrical Specifications 电气参数

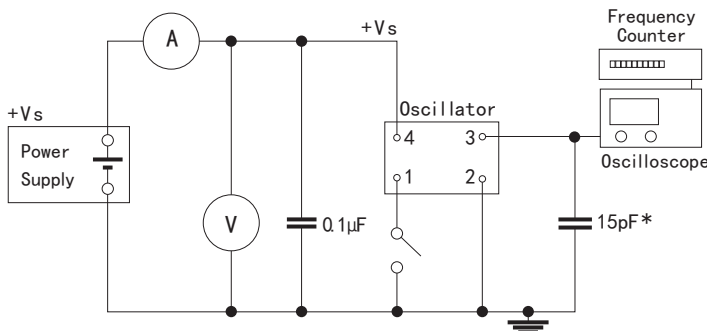
型号	Holder Type	2.5x2.0mm SMD OSCILLATOR
频率范围	Frequency Range	1.000 Mhz to 64 MHz
总频差	Frequency Stability	±20ppm to ±50ppm
输入电压	Supply Voltage	3.3V ±10%※(See Notes)
工作温度范围	Operating Temperature Range	-20°C - +70°C / -40°C - +85°C
储存温度范围	Storage Temperature Range	-40°C - +85°C / -55°C - +125°C
占空比	Symmetry (Duty Cycle)	45/55 Standard
输出	Output Load	15pF Hcmos or 10 TTL
消耗电流	Current Consumption (15pf only)	1.000Mhz - 49.999Mhz=20mA max
	(3.3V)	50.000Mhz - 64.000Mhz=30mA max
	Current Consumption (15pf only)	1.000Mhz - 49.999Mhz=15mA max
	(1.8V 2.5V 2.8V )	50.000Mhz - 64.000Mhz=25mA max
上升/下降时间	Rise/Fall Time	5 nS max

※Notes: The supply voltage 1.8V, 2.5V, 2.85V also can be made by customer.

## Mechanical Dimensions 外型尺寸



## Test Circuit (测试电路)



PIN	FUNCTION
1	Tri-state※(See Notes)
2	Ground
3	Output
4	Vdd

※Notes:

Tri-state: PIN 1 connected to Vdd or floating, the product is working properly; connected to GND, stops working.