

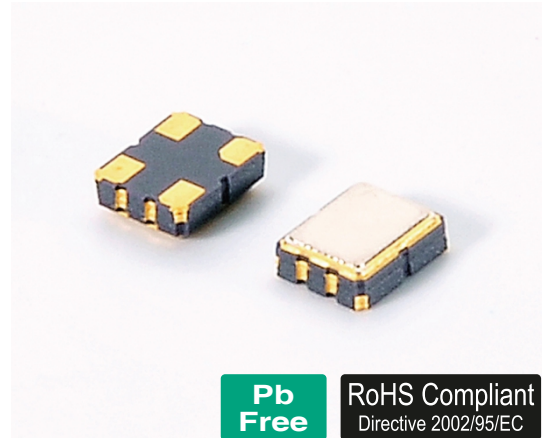
# 3CM Series 3.2x2.5 SMD MultiVolt Crystal Oscillator

## FEATURE

- Tight frequency tolerance.
- CMOS compatible logic levels.
- Pin-compatible with standard 3.2x2.5mm packages.
- Designed for standard reflow and washing techniques.
- Low power standby mode.
- Available on tape & reel, 1000pcs per reel.
- Pb-free and RoHS/Green compliant.

## APPLICATIONS

- Low power/portable, industrial, and Internet of Things(IoT) applications.



**Pb Free**

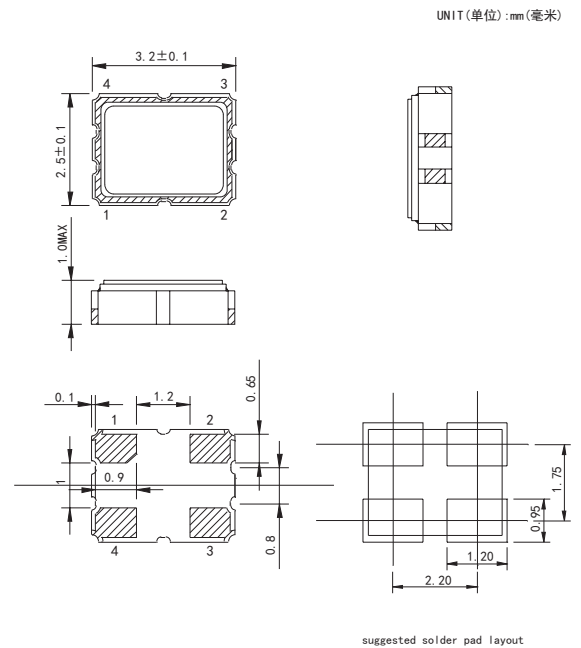
**RoHS Compliant**  
Directive 2002/95/EC

## Electrical Specifications 电气参数

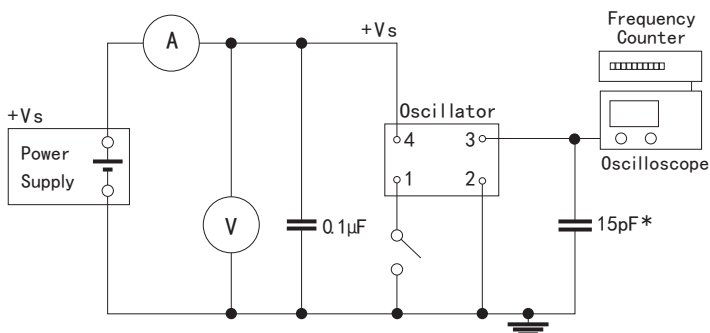
型号	Holder Type	3.2x2.5mm SMD MultiVolt Crystal Oscillator
频率范围	Frequency Range	1.000 Mhz to 125.000 MHz
总频差	Frequency Stability	±20ppm to ±50ppm
输入电压	Supply Voltage	1.62V to 3.63V (See Notes)
工作温度范围	Operating Temperature Range	-20°C - +70°C / -40°C - +85°C
储存温度范围	Storage Temperature Range	-40°C - +85°C / -55°C - +125°C
占空比	Symmetry (Duty Cycle)	40/60 Standard
输出	Output Load	15pF Hcmos
消耗电流	Current Consumption (15pf only)	1.000Mhz - 49.999Mhz=25mA max
	(5.0V)	50.000Mhz - 125.000Mhz=80mA max
	Current Consumption (15pf only)	1.000Mhz - 49.999Mhz=20mA max
	(1.8V 2.5V 2.85V 3.3V)	50.000Mhz - 125.000Mhz=60mA max
上升/下降时间	Rise/Fall Time	5 nS max

Notes: The series is compatible with 1.8V, 2.5V, or 3.3V power supplies.

## Mechanical Dimensions 外型尺寸



## Test Circuit (测试电路)



PIN	FUNCTION
1	Tri-state※(See Notes)
2	Ground
3	Output
4	Vdd

※Notes:

Tri-state: PIN 1 connected to Vdd or floating, the product is working properly; connected to GND, stops working.

# SCTF

The above specifications are standard for SCTF product.  
If you have special requirement please Contact SCTF sales with your enquiries  
Tel: 0086-0755-86097430, 0086-0755-86097250  
Fax: 0086-0755-86097259  
E-mail: sales@sctf-crystal.com <http://www.sctf-crystal.com>