

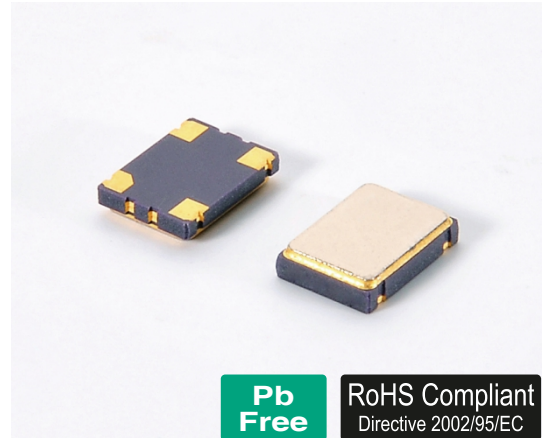
7CM Series 7.0x5.0 SMD MultiVolt Crystal Oscillator

FEATURE

- CMOS compatible logic levels.
- Pin-compatible with standard 7.0x5.0mm packages.
- High precision characteristic covering up to high frequency range.
- Low jitter and tight stability with fundamental or overtone Design.
- Low power standby mode.
- Output Tri-state function.
- Embossed tapping specification.
- Reflow soldering.
- Pb-free and RoHS/Green compliant.

APPLICATIONS

- Low power/portable, industrial, and Internet of Things (IoT) applications.



Pb Free

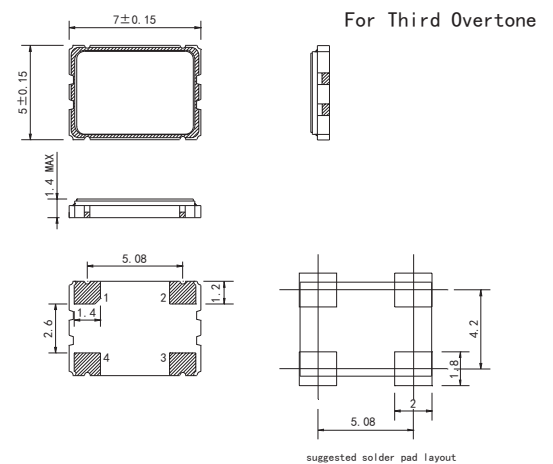
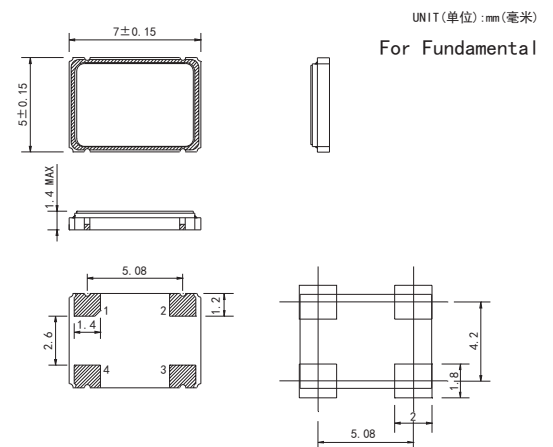
RoHS Compliant
Directive 2002/95/EC

Electrical Specifications 电气参数

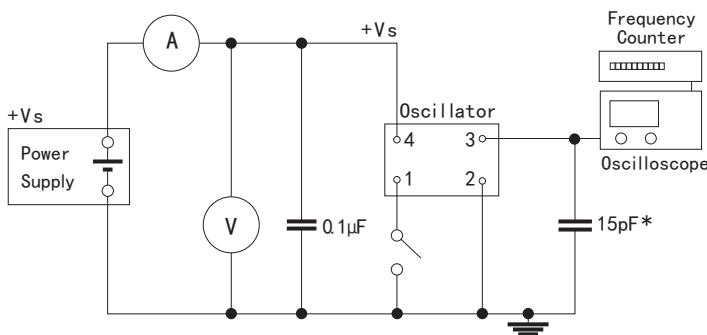
型号	Holder Type	7.0x5.0mm SMD MultiVolt Crystal Oscillator
频率范围	Frequency Range	1.000 Mhz to 150.000 MHz
总频差	Frequency Stability	±20ppm to ±50ppm
输入电压	Supply Voltage	1.62V to 3.63V ※(See Notes)
工作温度范围	Operating Temperature Range	-20°C - +70°C / -40°C - +85°C
储存温度范围	Storage Temperature Range	-40°C - +85°C/-55°C - +125°C
占空比	Symmetry (Duty Cycle)	40/60 Standard
输出	Output Load	15pF Hmos
消耗电流	Current Consumption (15pf only) (5.0V)	1.000Mhz - 35.999Mhz=25mA max
		36.000Mhz - 69.999Mhz=60mA max
		70.000Mhz - 150.000Mhz=80mA max
	Current Consumption (15pf only) (1.8V 2.5V 2.85V 3.3V)	1.000Mhz - 35.999Mhz=20mA max
		36.000Mhz - 69.999Mhz=40mA max
		70.000Mhz - 150.000Mhz=60mA max
上升/下降时间	Rise/Fall Time	5 nS max

※Notes: The series is compatible with 1.8V, 2.5V, or 3.3V power supplies.

Mechanical Dimensions 外型尺寸



Test Circuit (测试电路)



PIN	FUNCTION
1	Tri-state※(See Notes)
2	Ground
3	Output
4	Vdd

※Notes:

Tri-state: PIN 1 connected to Vdd or floating, the product is working properly; connected to GND, stops working.

SCTF

The above specifications are standard for SCTF product
If you have special requirement please Contact SCTF sales with your enquiries
Tel : 0086-0755-86097430, 0086-0755-86097250
Fax : 0086-0755-86097259
E-mail : sales@sctf-crystal.com <http://www.sctf-crystal.com>