

1X Series 2.0 x 1.6 mm SMD Crystal

1 : 2.0×1.6×0.45 mm | SMD2016-4P

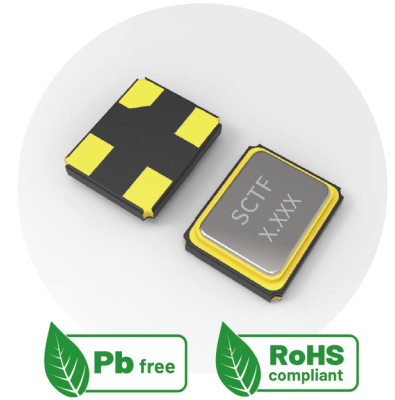
X : Crystal Resonator

Feature

- AT-cut Crystal Construction
- Ultra miniature Seam sealed ceramic surface mount
- High temperature, high precision and reliability Characteristics
- Package Size: 2.0 x 1.6 x 0.45mm
- Pb-free and RoHS/Green compliant

Applications

- Audio Devices
- Portable devices
- Short-range Wireless module
- Computers, Modems, Microprocessors



Electrical Specifications

Item	Symb.	Min.	Typ.	Max.	Unit	Notes
Frequency Range	Freq.	16.000		54.000	MHz	
Oscillation Mode		Fundamental (AT-cut)				
Frequency Tolerance	$\Delta f/f$			± 10	ppm	at 25°C $\pm 2^\circ\text{C}$
Operating Temperature	T_use	-20		70	°C	
		-40		85	°C	
Storage Temperature Range	T_sta	-55		125	°C	
Shunt Capacitance	C0			3	pF	
Drive Level	DL		10	100	μW	
Load Capacitance	CL	6		20	pF	
Insulation Resistance	IR			500	M Ω	at DC 100V
Aging	f_age			3	ppm	1st. Year at 25°C

Frequency Stability & Operating Temperature Range

Temp.	FT	$\pm 10\text{ppm}$	$\pm 15\text{ppm}$	$\pm 20\text{ppm}$	$\pm 30\text{ppm}$
	-20°C to +70°C	Δ	★	★	★
-40°C to +85°C		Δ	★	★	

★: Available Δ : Conditional

Equivalent Series Resistance

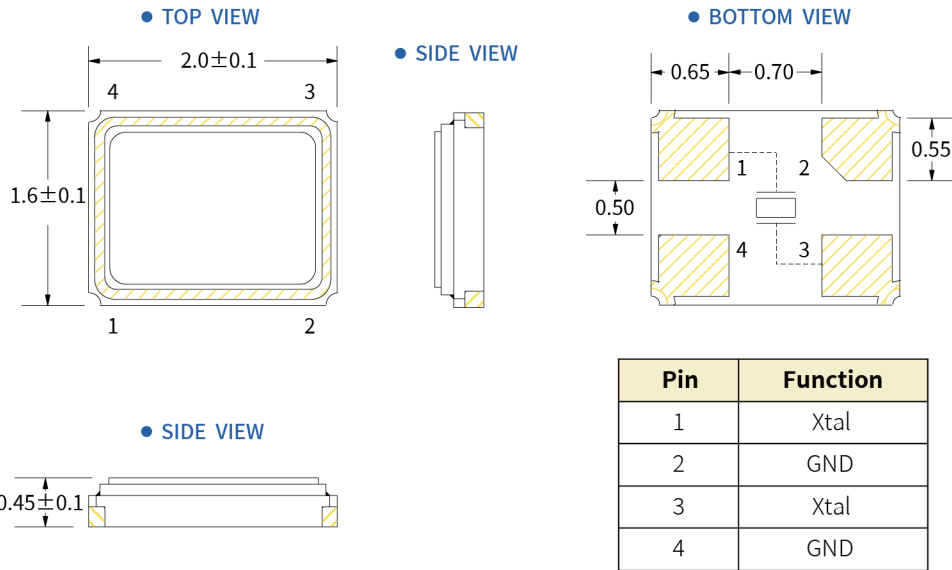
Frequency Range	ESR(Max.)
16MHz \leq Freq. < 24MHz	200 Ω
24MHz \leq Freq. < 26MHz	80 Ω
26MHz \leq Freq. < 40MHz	60 Ω
40MHz \leq Freq. \leq 54MHz	50 Ω

1X Series 2.0 x 1.6 mm SMD Crystal

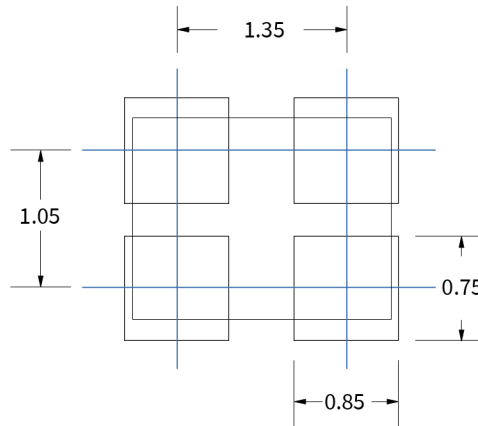
1 : 2.0×1.6×0.45 mm | SMD2016-4P

X : Crystal Resonator

Dimensions (UNIT:mm)



Solder pad layout (UNIT:mm)



Options and Part Identification : Example SX1B16.000F1010F30

Company	Ceramic Package	Frequency Code [MHz]	Vibration Mode	Load Capacitance	Frequency Tolerance	Operating Temperature	Frequency Drift		
SX	1B	X.XXX	F	10	10	F	30		
Code	Company	Frequency	Code	Vibration Mode	Code	Frequency Tolerance	Code	Frequency Drift	
SX	SCTF	16.000	F	AT - Fundamental	10	±10ppm	10	±10ppm	
					20	±20ppm	15	±15ppm	
							20	±20ppm	
							30	±30ppm	
Code	Ceramic Package			Code	Load Capacitance			Code	Operating Temperature
0B	1.6 x 1.2 x 0.35mm [4PAD]			S	Please specify CL in pF or S for series			E	-20°C ~ +70°C
1B	2.0 x 1.6 x 0.45mm [4PAD]			06	6pF			F	-40°C ~ +85°C
2B	2.5 x 2.0 x 0.55mm [4PAD]			08	8pF				
3B	3.2 x 2.5 x 0.7mm [4PAD]			10	10pF				
5B	5.0 x 3.2 x 0.8mm [4PAD]			12	12pF				
5A	5.0 x 3.2 x 0.8mm [2PAD]			20	20pF				
7B	7.0 x 5.0 x 1.0mm [4PAD]								

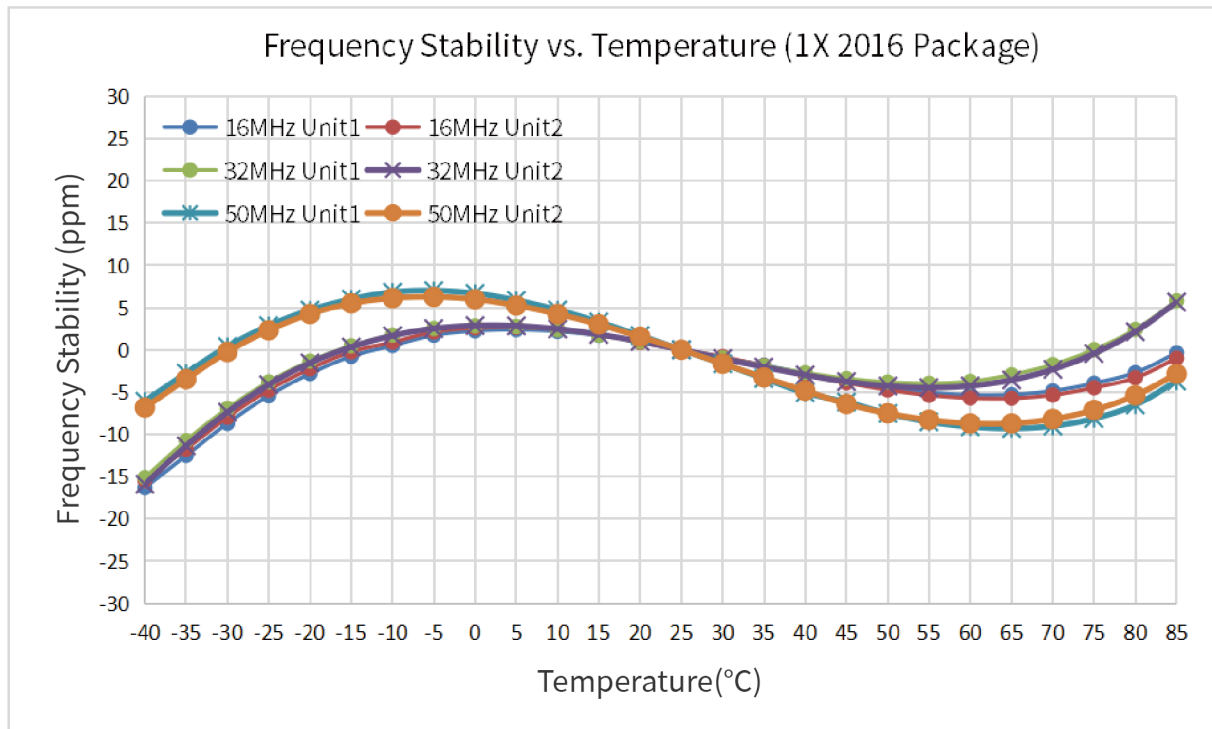
If you have other parameter requirements, you can contact **SCTF** at any time.

1X Series 2.0 x 1.6 mm SMD Crystal

1 : 2.0×1.6×0.45 mm | SMD2016-4P

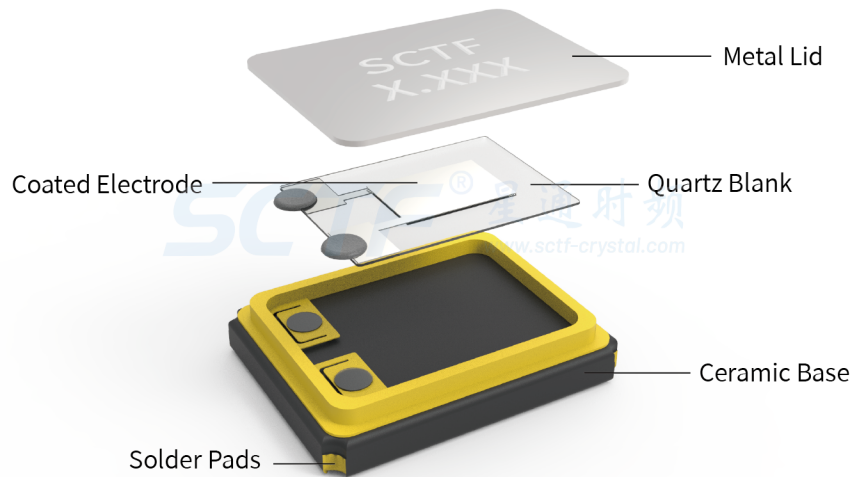
X : Crystal Resonator

Frequency Temperature Characteristics

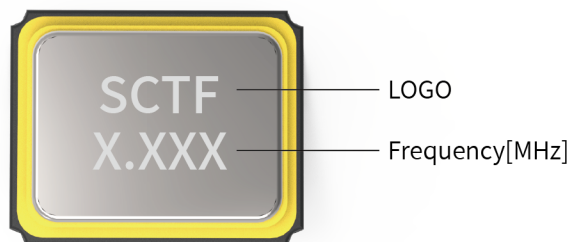


Product Structure & Marking Information

Product Structure



Marking Information

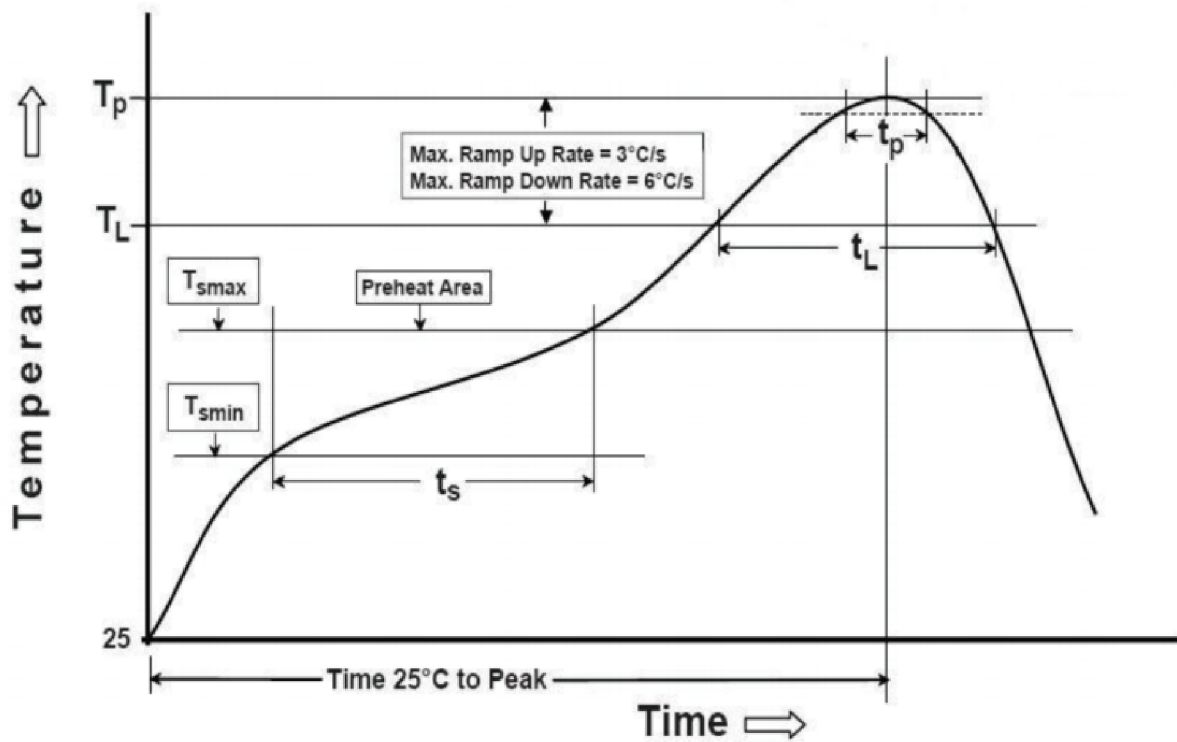


1X Series 2.0 x 1.6 mm SMD Crystal

1 : 2.0×1.6×0.45 mm | SMD2016-4P

X : Crystal Resonator

Suggested Reflow Profile



Profile Feature	Sn - Pb Eutectic Assembly	Preheat / Soak
Preheat / Soak <ul style="list-style-type: none"> ● Temperature Min (T_s min) ● Temperature Max (T_s max) ● Time (T_s min to T_s max) 	100°C 150°C 60-120 seconds	150°C 200°C 60-120 seconds
Ramp - up rate (T _L to T _p)	3°C/ second max.	3°C/ second max.
Time maintained above <ul style="list-style-type: none"> ● Liquidous temperature (T_L) ● Time (t_L) maintained above T_L 	183°C 60-150 seconds	217°C 60-150 seconds
Peak package body temperature (T _p)	235°C	260°C
Time within 5° C of the specified classification temperature (T _p)	20 seconds	30 seconds
Ramp - down rate (T _p to T _L)	6°C/ second max.	6°C/ second max.
Time 25° C to peak temperature	6 minutes max.	8 minutes max.
Suggest reflow times	2 Times max.	

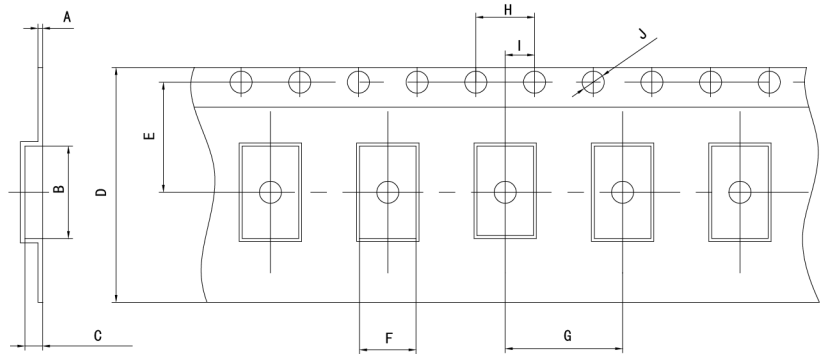
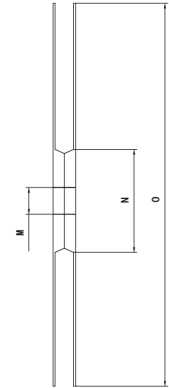
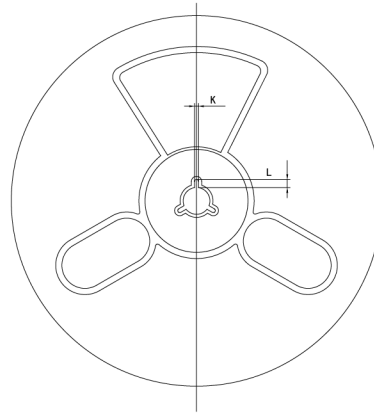
1X Series 2.0 x 1.6 mm SMD Crystal

1 : 2.0×1.6×0.45 mm | SMD2016-4P

X : Crystal Resonator

Packaging Information

T=Tape and reel (3,000pcs/reel)



Pocket Tape Dimensions(mm)

Series	A	B	C	D	E	F	G	H	I	J	K	L	M	N	O
1X	0.25±0.05	2.25±0.1	0.7±0.1	8.0±0.3	3.5±0.1	1.85±0.1	4.0±0.1	4.0±0.1	2.0±0.1	φ1.5±0.1	2.0±0.2	4.0±1.0	φ13±0.5	φ60±1	φ180±1

Common Frequencies – MHz

1X Series				
16.000	19.200	20.000	24.000	24.305
24.576	25.000	26.000	27.000	27.120
30.000	32.000	32.768	36.000	37.400
38.400	40.000	48.000	50.000	52.000
54.000				