

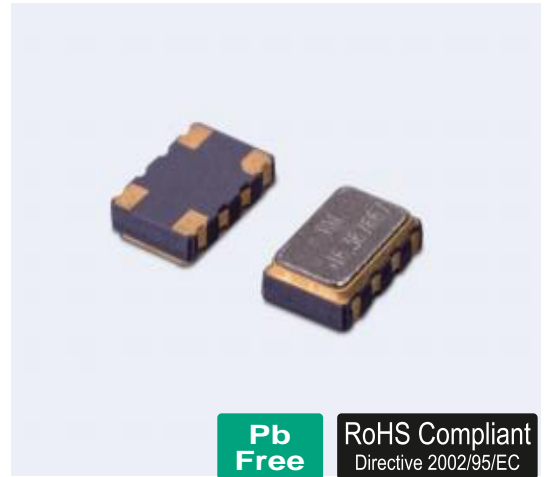
5VT Series 5.0x3.2 SMD VCTCXO

FEATURE

- SMD type Crystal Oscillator
- Miniature and lightweight
- Low phase noise
- One Chip IC assures high reliability

APPLICATION

- Mobile phones, GPS applications and other mobile communications.



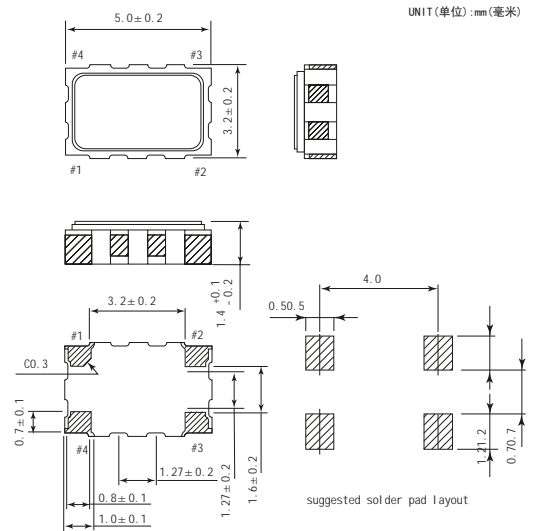
Pb Free

RoHS Compliant
Directive 2002/95/EC

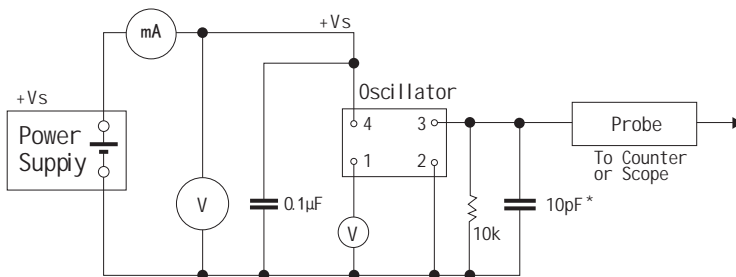
Electrical Specifications 电气参数

型号	Holder Type	5.0x3.2 SMD VCTCXO
频率范围	Frequency Range	0.5MHz to 160MHz
电压	Supply Voltage	5.0V or 3.3V $\pm 10\%$
工作温度范围	Operating Temperature Range	-10°C - +60°C to -40°C - +85°C
保存温度范围	Storage Temperature Range	-40°C - +85°C
负载	Output load	(10K // 10 PF) +10%
频率偏差	Frequency Deviation	2.0ppm Max
频率稳定度	Frequency Stability	± 0.5 ppm to ± 2.5 ppm
老化	Aging	± 1 ppm Max./year
消耗电流	Current Consumption	20mA Max
相位噪声	SSB Phase Noise	
	100Hz offset typical	-113dB/Hz
	1KHz offset typical	-135dB/Hz
	10KHz offset typical	-148dB/Hz

Mechanical Dimensions 外型尺寸



Test Circuit (测试电路)



脚位	脚位连接 Connection	
PIN	VC-TCXO	TCXO
1	Vc	N. C.
2	GND	
3	OUT	
4	Vcc	

※Note: 0.01uF bypass capass capacitor should ben placed between Vcc(PIN4) and GND(PIN2) to Minimize power supply line noise.