

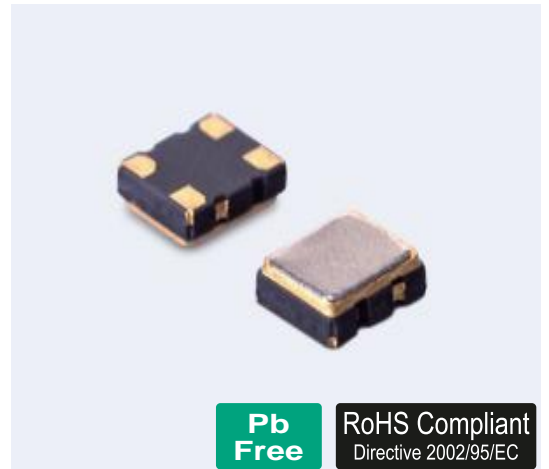
2VT Series 2.5x2.0 SMD VCTCXO

FEATURE

- Temperature Stability: ± 0.5 ppm $\sim \pm 2.0$ ppm.
- Operating Temperature Range: $-30^{\circ}\text{C} \sim 85^{\circ}\text{C}$.
- Supply Voltage: 1.8V Typ./2.8V Typ./3.0V Typ.
- Voltage Control Function Available.

APPLICATION

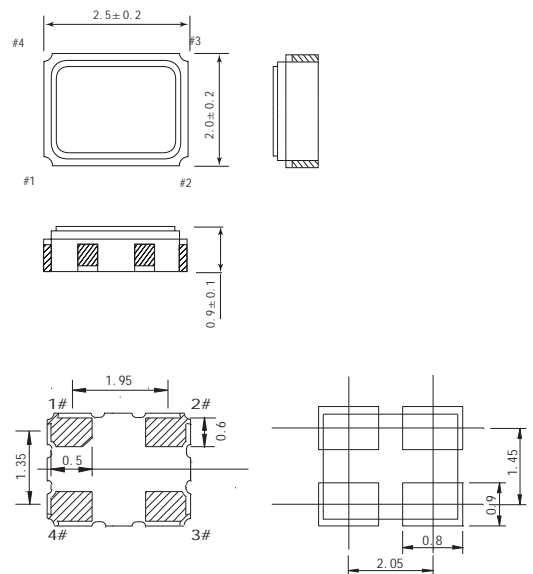
- GPS, WiMAX, Cellular and Wireless Communications.



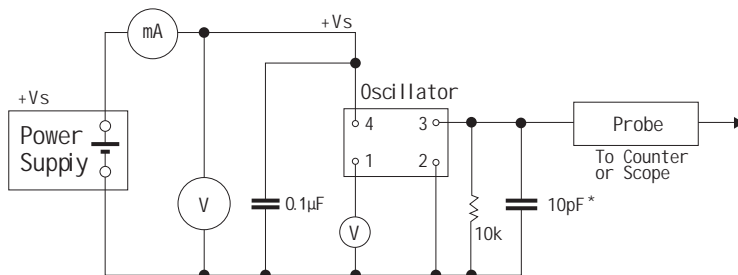
Electrical Specifications 电气参数

型号	Holder Type	VC-TCXO	TCXO
频率范围	Frequency Range	13.000 Mhz - 52.000 Mhz	
典型频点	Typical Frequency	16.367667 Mhz/16.368 Mhz/16.369 Mhz 19.2 Mhz/26Mhz/38.4Mhz	
电源电压	Supply Voltage	1.8 \pm 0.1V , 2.8V \pm 5% , 3.0 \pm 5% (电源电压范围: 1.7V ~ 3.3V)	
频率偏差	Frequency Tolerance	± 2.0 ppm Max (at 25 $^{\circ}\text{C}$ after 2 reflows)	
频率对温度变动特性	Frequency Vs. Temperature	± 0.5 ppm / ± 2.0 ppm	
频率对负载变动特性	Frequency Vs. Load	± 0.2 ppm Max.	
频率对电源电压特性	Frequency Vs. Supply Voltage	± 0.2 ppm Max.	
功耗	Current Consumption	2.0mA Max.	
频率控制范围	Auto Frequency Control Range	± 8 ppm $\sim \pm 15$ ppm	—
工作温度范围	Operating Temperature Range	$-30^{\circ}\text{C} \sim +85^{\circ}\text{C}$	
保存温度范围	Storage Temperature Range	$-40^{\circ}\text{C} \sim +85^{\circ}\text{C}$	
输出负载	Output Load	10K Ω // 10 pF	
相位噪声	Phase Noise	-130dBc/Hz at 1KHz offset	
老化	Aging	± 1 ppm Max	

Mechanical Dimensions 外型尺寸



Test Circuit (测试电路)



脚位	脚位连接 Connection	
PIN	VC-TCXO	TCXO
1	Vc	N. C.
2	GND	
3	OUT	
4	Vcc	

※Note: 0.01 μF bypass capass capacitor should ben placed between Vcc(PIN4) and GND(PIN2) to Minimize power supply line noise.