

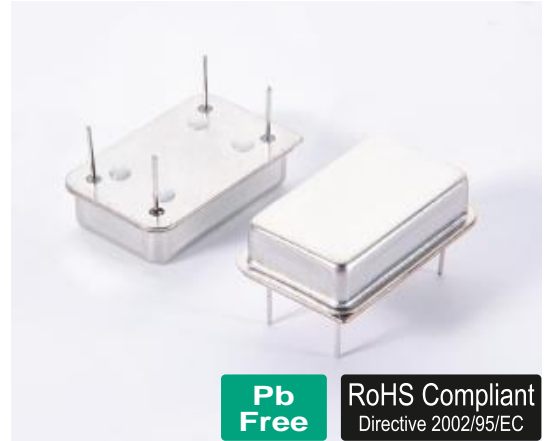
# VTB Series Full Size VCTCXO

## FEATURE

- Low phase noise
- Low Cost
- High Stability

## APPLICATION

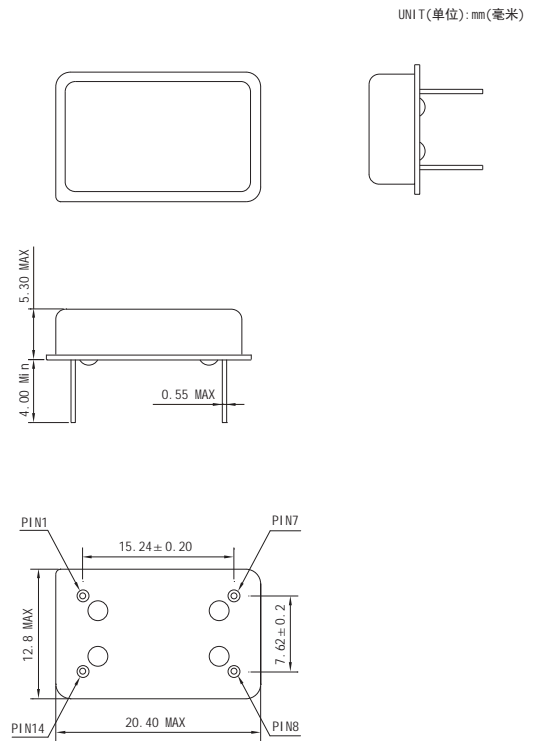
- Used for telecom, TV, Computer, refrigerator, acoustics, electric toy etc.



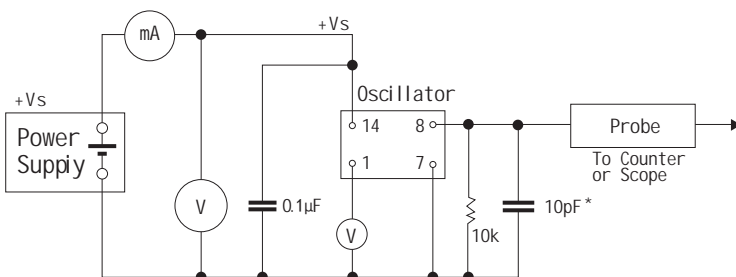
## Electrical Specifications 电气参数

型号	Holder Type	FULL SIZE (14PIN) VCTCXO
频率范围	Frequency Range	2 to 30MHz
25°C 频率偏差	Initial Frequency Tolerance @25°C	±1.5 ppm
频率稳定度	Frequency Stability Over Operating Temperature	±2.0 ppm
老化率	Aging 10 years	±2.0 ppm
输入电压	Input Voltage	5.0±5% V
输入电流	Input Current	20mA Max
占空比	Symmetry(Duty Cycle)	40 - 60 %
上升时间	Rise Time	9Max ns
下降时间	Fall Time	8Max ns
高电平	Logic "1" Level	4.5Min V
低电平	Logic "0" Level	0.5Max V
开始时间	Output Type	20Max ms V
振幅	Output Level	0.8pk - pk min V
控制电压	Control Voltage	0.5 - 4.5 V
相位噪声	Phase Noise(Typical)	10Hz 100Hz 1kHz 10kHz 100kHz -70 -95 -120 -145 -150 dBc/Hz

## Mechanical Dimensions 外型尺寸



## Test Circuit (测试电路)



脚位 PIN	脚位连接 Connection	
	VC-TCXO	TCXO
1	Vc	N. C.
7	GND	
8	OUT	
14	Vcc	

※Note: 0.01µF bypass capass capacitor should ben placed between Vcc(PIN14) and GND(PIN7) to Minimize power supply line noise.