

FEATURE

- Wide Frequency range.
- High shock tolerance.
- Small size.
- Reliable frequency stability.
- Pb-free and RoHS/Green compliant.

APPLICATIONS

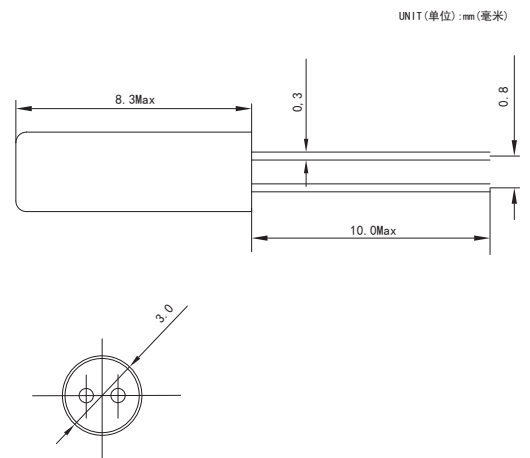
- Permits use as a clock source for communication equipment, AV equipments, OA equipment, measuring instruments and various of clocks.



Electrical Specifications 电气参数

型号	Holder Type	Turning Fork 308(KHZ)
频率范围	Frequency Range	30.000KHZ to 200.000KHZ
调整频差范围	Frequency Tolerance (ΔF) (at 25°C)	$\pm 10\text{ppm}$ to $\pm 30\text{ppm}$
频率温度系数	Parabolic curvature constant	$-0.042\text{ppm} / (\Delta^\circ\text{C})^2$ Maximum
Q值	Q - factor	50000 Minimum
工作温度范围	Operating Temperature Range	-10°C to $+60^\circ\text{C}$
老化	Aging (at 25°C)	$\pm 5\text{ppm}/\text{year}$ Maximum
保存温度范围	Storage Temperature Range	-40°C to $+85^\circ\text{C}$
静电容	Shunt Capacitance (C0)	1.6PF Typical, 2pF Maximum
动电容	Motional Capacitance (C1)	3.0fF Typical
激励功率	Drive Level	1 μW Maximum
绝缘阻抗	Insulation Resistance (Rs)	500 Megaohms Minimum at 100V.D.C
负载电容	Load Capacitance (CL)	Suggested by customer

Mechanical Dimensions 外型尺寸



Equivalent Series Resistance and Mode of Operation 等效阻抗和振荡模式

Frequency Range 频率范围	ESR (Ω) 等效阻抗
$30 \leq f < 40\text{KHZ}$	40KMAX
$40 \leq f < 60\text{KHZ}$	30KMAX
$60 \leq f < 70\text{KHZ}$	25KMAX
$70 \leq f < 100\text{KHZ}$	22KMAX
$100 \leq f < 200\text{KHZ}$	20KMAX

Frequency vs. Temperature Curve 频率温度曲线

