

## NX3215SD

**For Automotive**

### ■ Features

Small surface-mount type tuning fork crystal unit for automotive. High resistance to solder cracking.

- Excellent heat resistance and environmental characteristics.
- A surface-mount crystal oscillator. (Reflow soldering is possible.)
- Meet the requirements for re-flow profiling using lead-free solder.
- Conforms to AEC-Q200.



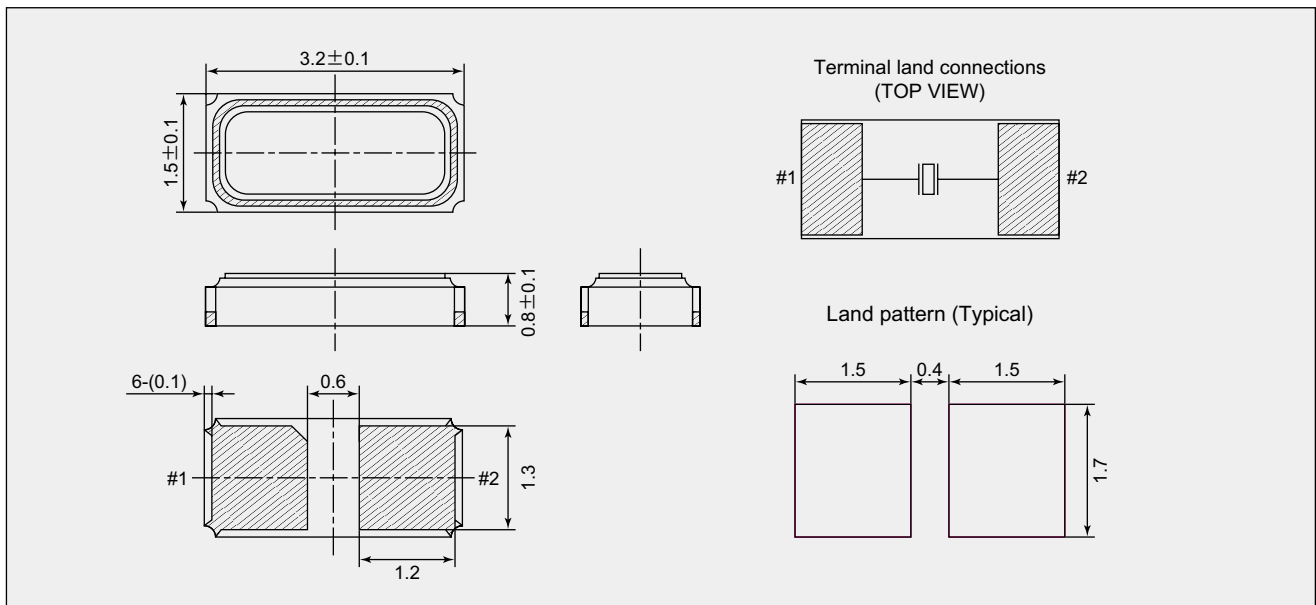
Pb Free

RoHS Compliant  
Directive 2011/65/EU

### ■ Specifications

Item	Model	NX3215SD		
Nominal Frequency		32.768kHz		
Operating Temperature Range		-40 to +125°C		
Storage Temperature Range		-40 to +125°C		
Level of Drive		0.1μW (Max. 0.5μW)		
Frequency Tolerance (25 ±3 °C)		±20 × 10 <sup>-6</sup>		
Turning Point		+25°C ± 5°C		
Temperature Coefficient		Max. -0.04 × 10 <sup>-6</sup> /°C <sup>2</sup>		
Load Capacitance		6.0pF	9.0pF	12.5pF
Equivalent Series Resistance		Max. 80kΩ		
Shunt Capacitance		Typ. 1.2pF / Max. 1.5pF		
Insulation Resistance		Min. 500M Ω		
Specifications Number		STD-MUS-7	STD-MUS-6	STD-MUS-5

### ■ Dimensions



Please specify the model name, frequency, and specification number when you order products.  
For further questions regarding specifications, please feel free to contact us.